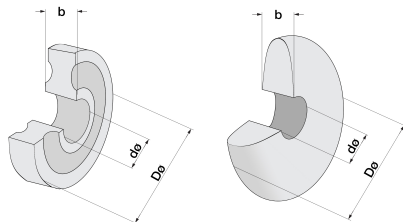
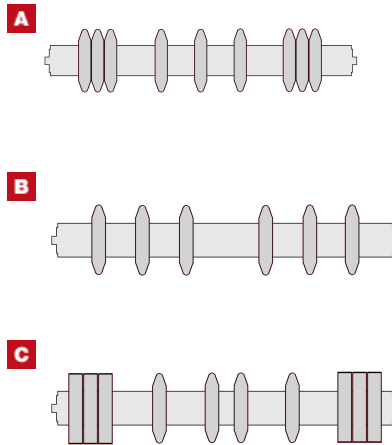
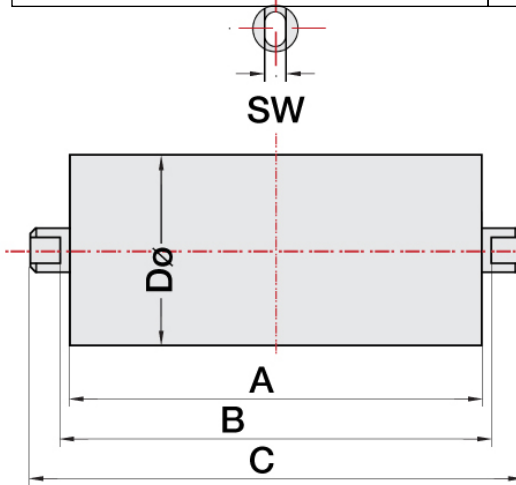


Quantity (Idler)

	Idler
Diameter D [mm]	
Axial diameter [mm]	
Cover length A [mm]	
Clamping length B [mm]	
Axial length C [mm]	
Width across flats [mm]	
Types of axle end No.	

	Impact rings	Support rings
Diameter outside D [mm]		
Spread A,B or C		
Quantity		



Company

Adress

Contact person

Phone

Fax

E-Mail

Remarks

germanBelt Group

Laugfeld 19

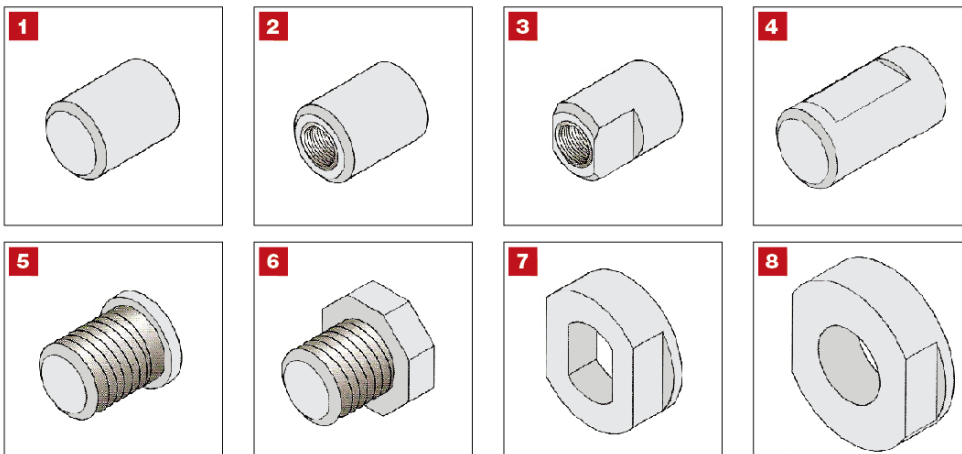
D-01968 Senftenberg

Tel.: +49 3573 36374-0

Fax: +49 3573 36374-19

E-Mail: sales@germanBelt.de

Types of axle ends available



germanBelt[®]

germanBelt Steel GmbH