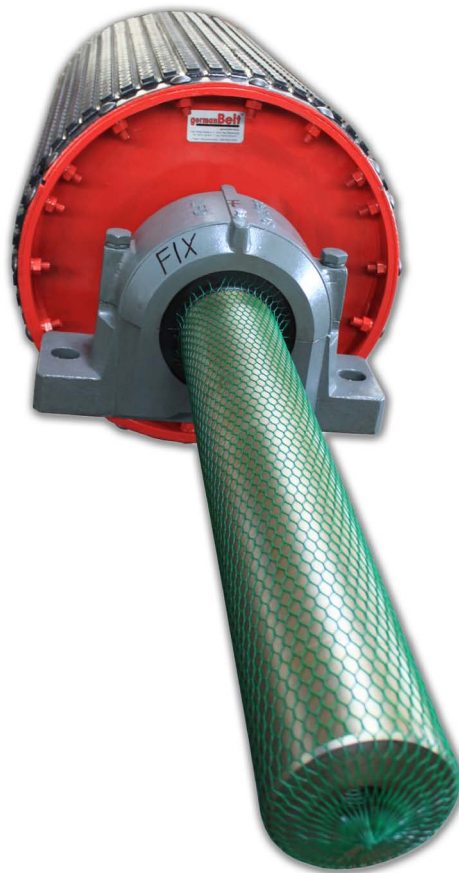


# germanBelt®

germanBelt Steel GmbH



germanBelt ... beyond expectations



## Driving force ‘Made in Germany’

germanBelt — quality without compromise

germanBelt Steel GmbH is part of the germanBelt Group. The company profits from the Group’s strength, which has been proven by decades of experience and competence in materials handling technology.

We manufacture conveyor belt pulleys in serial, speciality and single-piece production. Reliable germanGrip pulley laggings and innovative germanBond adhesives are important components that guarantee optimal force transmission. This we guarantee with our seal of quality, „made by germanBelt“.

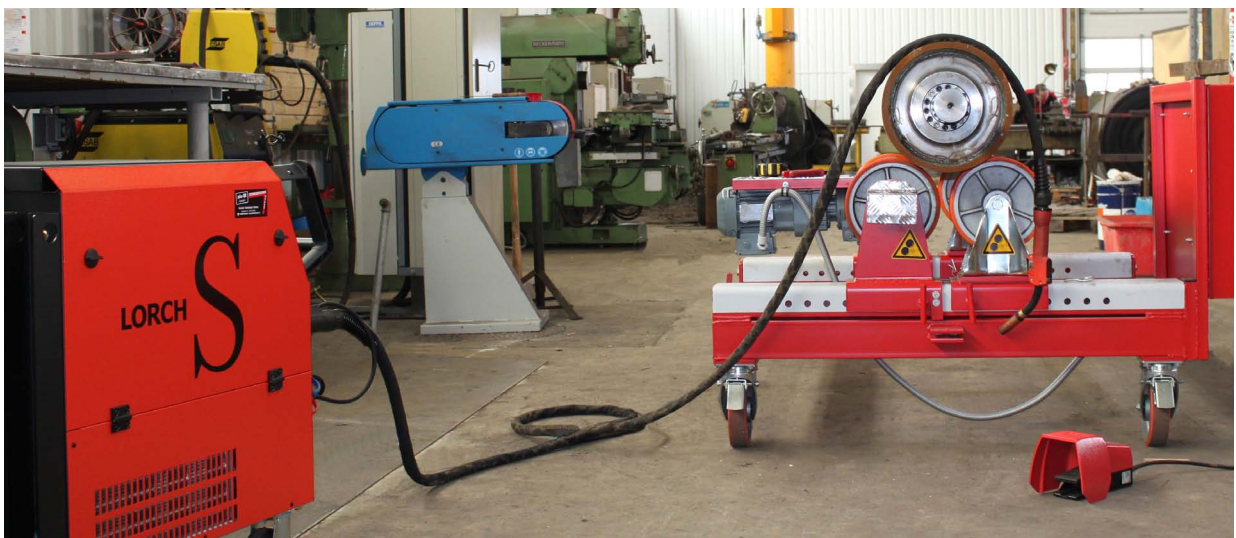
Quality is our promise. There can be no compromise. We provide you with high quality advice on applications, professional planning by our engineers and, of course, full service at any time. In all phases of the process, we pay the highest attention to unconditional efficiency and the best benefits for our customers.

Pulley calculation, coated pulley bottoms and transport sealing — our extra services are always one step ahead of your desires.

Rely on our products — one-stop quality for all your needs.

**germanBelt®**      **germanGrip®**      **germanBond®**

**Uwe Hickmann**  
Managing Partner, germanBelt Group



Competent manufacturing of the highest standard — your safety is our promise.

# germanBelt® Steel Product Range

## Contents

PAGE	SUBJECT
02	Driving force 'Made in Germany'
03	Contents
04	Range of pulleys
05	Idler
11	Support and impact rings
12	Lateral guide idlers
13	Idler frames





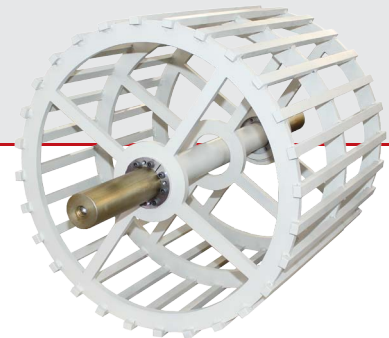
## Pulleys

- Drive pulleys
- Bend pulleys
- Snub pulleys

## Idler and idler sets

### Special products

- Elevator pulleys
- Idler and idler sets
- Deflection discs (C. sidewall belts)
- Impact roller



### Components

- Drive shafts
- Bend shafts
- Pedestal bearing
- Flange bearing
- Clamping sets

### Pulley lagging

- Rubber lagging materials plain and profiled
  - 60° Shore
  - 40° Shore
  - White (FDA)
  - Special materials
- Ceramic lagging materials

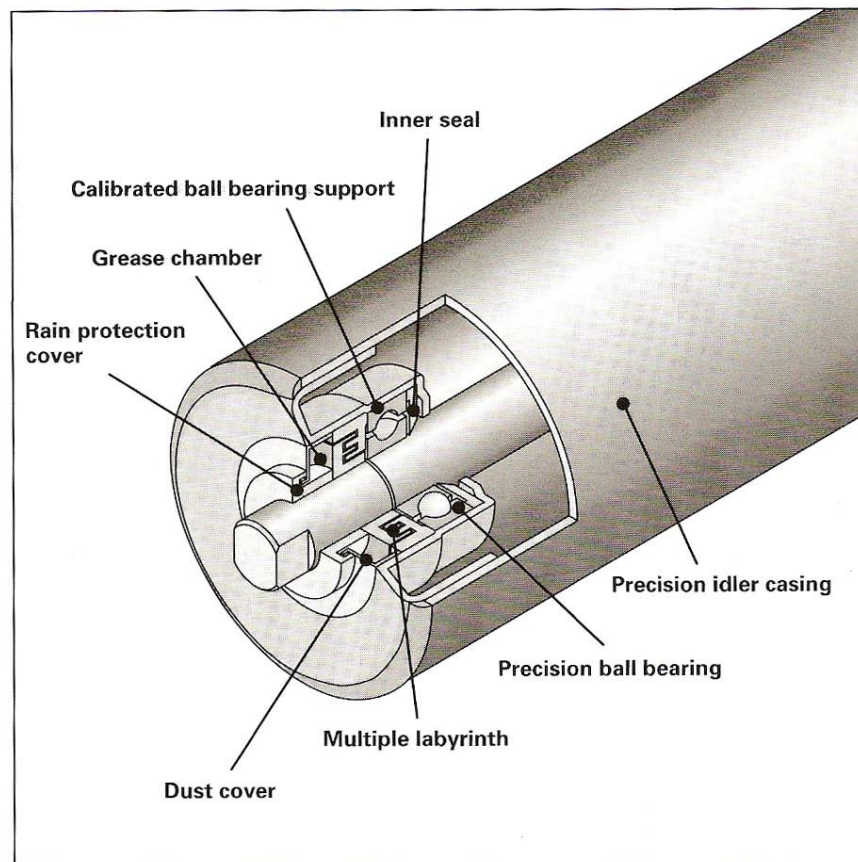


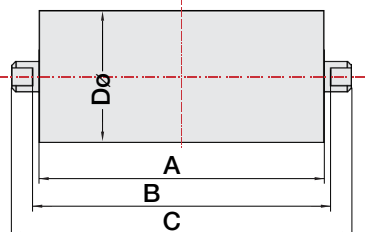


## germanBelt® Idlers

This is what matters:

- Precision idler casing
- Deep groove precision ball bearings
- Calibrated ball bearing seat
- Multiple labyrinth
- Dust cover and rain protection cover
- Grease chamber
- Round welded

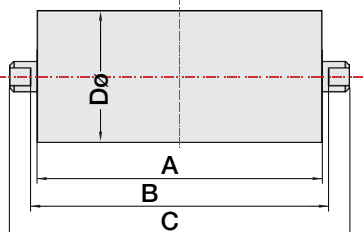




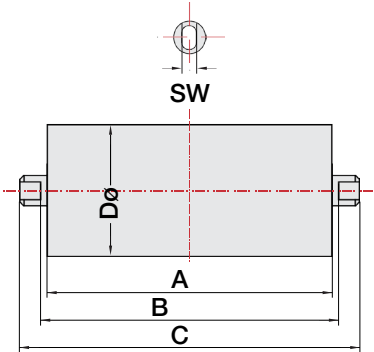
Casing $\varnothing$ [mm]	Axle $\varnothing$ [mm]		A [mm]	B [mm]	C [mm]
51	20	Idler	132	138	158
			165	171	191
			200	206	226
			250	256	276
			315	321	341
			380	386	406
51	20	Return idler	400	406	432
			500	506	532
			600	606	632
			750	756	782
			950	956	982
			1,150	1,156	1,182
63.5	20	Idler	132	138	158
			165	171	191
			200	206	226
			250	256	276
			315	321	341
			380	386	406
63.5	20	Return idler	400	406	432
			500	506	532
			600	606	632
			750	756	782
			950	956	982
			1,150	1,156	1,182
80	20	Idler	132	138	158
			165	171	191
			200	206	226
			250	256	276
			315	321	341
80	20	Return idler	400	406	432
			500	506	532
			600	606	632
			750	756	782
			950	956	982

**Note:** Also available with guide pulleys.

**Other lengths and axle types can be supplied.**



Casing $\varnothing$ [mm]	Axle $\varnothing$ [mm]		A [mm]	B [mm]	C [mm]
89	20	Idler	165	171	191
			200	206	226
			250	256	276
			315	321	341
			380	386	406
89	20	Return idler	500	506	532
			600	606	632
			750	756	782
			950	956	982
			1,150	1,156	1,182
108	20	Idler	165	171	191
			200	206	226
			250	256	276
			315	321	341
			380	386	406
			465	471	491
108	20	Return idler	500	506	532
			600	606	632
			750	756	782
			950	956	982
			1,150	1,156	1,182
			1,400	1,406	1,432
133	20	Idler	250	256	276
			315	321	341
			380	386	406
			465	471	491
133	20	Return idler	750	756	782
			950	956	982
			1,150	1,156	1,182
			1,400	1,406	1,432
159	20	Idler	380	386	406
			465	471	491
			530	536	556
159	20	Return idler	1,150	1,156	1,182
			1,400	1,406	1,432
			1,600	1,606	1,632

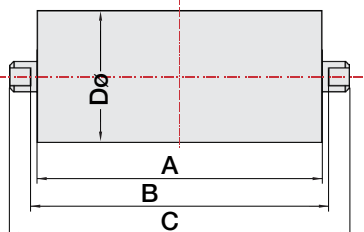


Casing ø [mm]	Axle ø [mm]		A [mm]	B [mm]	C [mm]
89	optional	Idler	200	206	226
	20/25		250	256	276
			315	321	341
			380	386	406
			465	471	491
89	optional	Return idler	500	506	532
	20/25		600	606	632
			750	756	782
			950	956	982
			1,150	1,156	1,182
			1,400	1,406	1,432
108	optional	Idler	200	206	226
	20/25		250	256	276
			315	321	341
			380	386	406
			465	471	491
108	optional	Return idler	500	506	532
	20/25		600	606	632
			750	756	782
			950	956	982
			1,150	1,156	1,182
			1,400	1,406	1,432
			1,600	1,606	1,632
133	optional	Idler	250	256	276
	20/25		315	321	341
			380	386	406
			465	471	491
			530	536	556
133	optional	Return idler	600	606	632
	20/25		750	756	782
			950	956	982
			1,150	1,156	1,182
			1,400	1,406	1,432
			1,600	1,606	1,632

**Note:** Also available with guide pulleys.

**Other lengths and axle types can be supplied.**

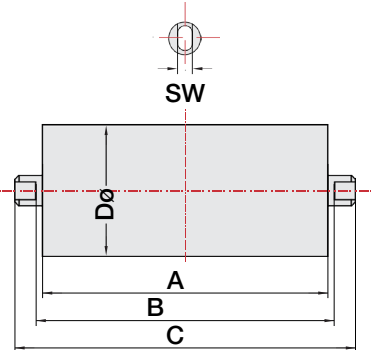




Casing $\varnothing$ [mm]	Axle $\varnothing$ [mm]		A [mm]	B [mm]	C [mm]
89	25	Idler	200	206	226
	6305		250	256	276
			315	321	341
			380	386	406
			465	471	491
89	25	Return idler	500	506	532
	6305		600	606	632
			750	756	782
			950	956	982
			1,150	1,156	1,182
			1,400	1,406	1,432
108	25	Idler	200	206	226
	6305		250	256	276
			315	321	341
			380	386	406
			465	471	491
108	25	Return idler	500	506	532
	6305		600	606	632
			750	756	782
			950	956	982
			1,150	1,156	1,182
			1,400	1,406	1,432
			1,600	1,606	1,632
133	25	Idler	250	256	276
	6305		315	321	341
			380	386	406
			465	471	491
			530	536	556
133	25	Return idler	600	606	632
	6305		750	756	782
			950	956	982
			1,150	1,156	1,182
			1,400	1,406	1,432
			1,600	1,606	1,632

**Note:** Also available with guide pulleys.

**Other lengths and axle types can be supplied.**

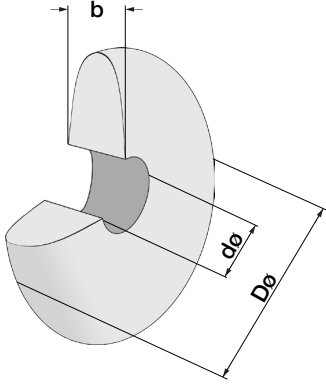


Casing $\varnothing$ [mm]	Axle $\varnothing$ [mm]		A [mm]	B [mm]	C [mm]
89	30	Idler	200	206	226
	6206		250	256	276
			315	321	341
			380	386	406
			465	471	491
89	30	Return idler	500	506	532
	6206		600	606	632
			750	756	782
			950	956	982
			1,150	1,156	1,182
			1,400	1,406	1,432
108	30	Idler	200	206	226
	6206		250	256	276
			315	321	341
			380	386	406
			465	471	491
108	30	Return idler	500	506	532
	6206		600	606	632
			750	756	782
			950	956	982
			1,150	1,156	1,182
			1,400	1,406	1,432
			1,600	1,606	1,632
133	30	Idler	250	256	276
	6206		315	321	341
			380	386	406
			465	471	491
			530	536	556
133	30	Return idler	600	606	632
	6206		750	756	782
			950	956	982
			1,150	1,156	1,182
			1,400	1,406	1,432
			1,600	1,606	1,632

**Note:** Also available with guide pulleys.

**Other lengths and axle types can be supplied.**

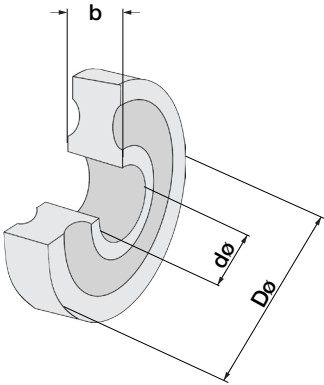
## Support and impact rings\*



Casing ø [mm]	D [mm]	d [mm]	b [mm]
63.5	108	60	25
	120		30
	133		25
89	133	85	30
	150		

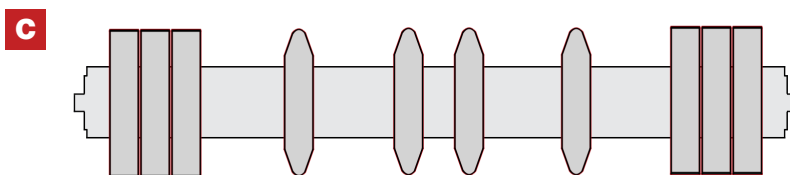
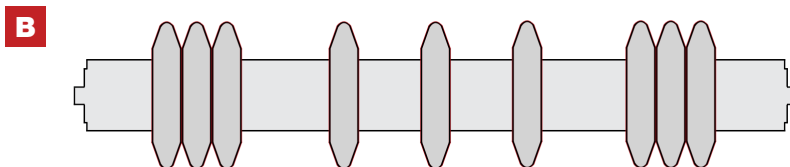
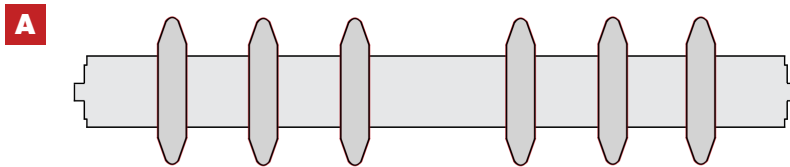
### Number of support rings per idler (Recommendation at even spread (A))

Belt width 400 = 8 rings, Belt width 500 = 8 rings, Belt width 650 = 9 rings,  
Belt width 800 = 14 rings, Belt width 1,000 = 16 rings



Casing ø [mm]	D [mm]	d [mm]	b [mm]
51	89	48	30
63.5	89	60	25
	108		30
89	133	85	35
	150		

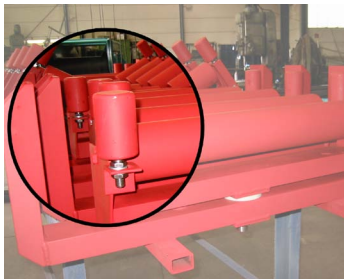
**Note:** \* other sizes are available



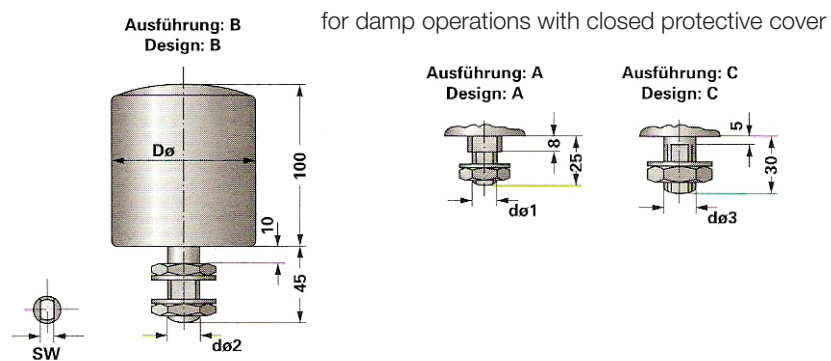
**Note:**

Other ring spreads on request.

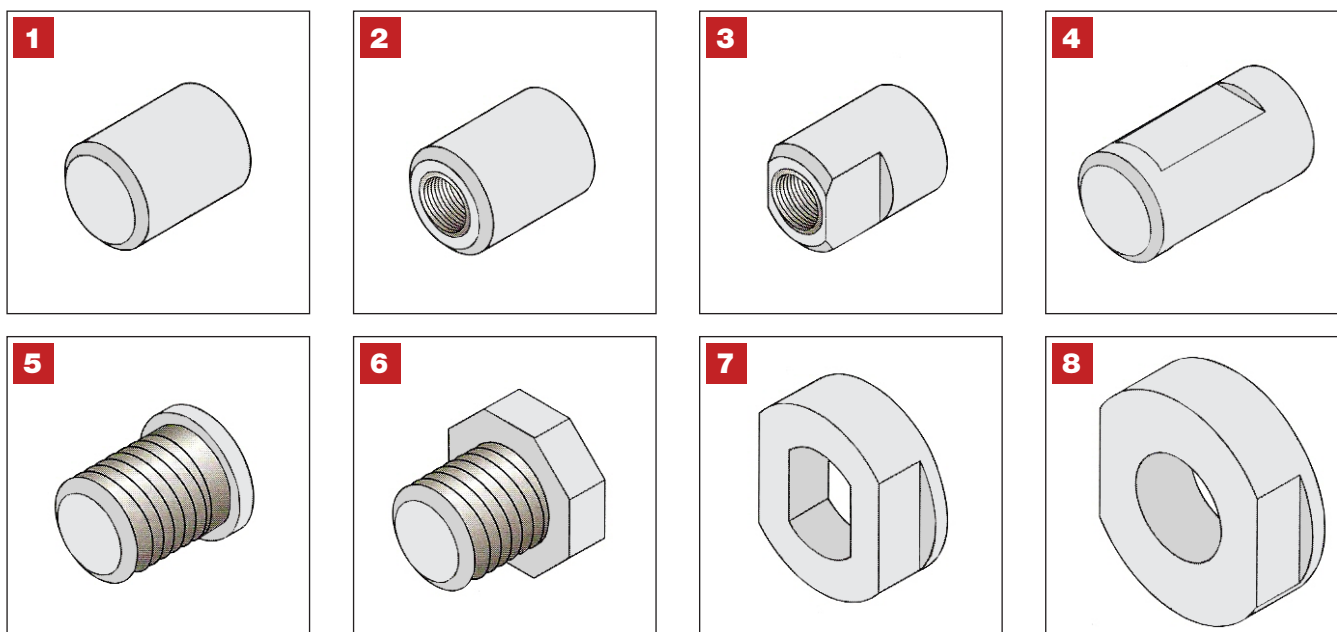
## Lateral guide idlers



Idler type D D $\varnothing$ [mm]	d1 [mm]	d2 [mm]	d3 [mm]	SW [mm]
63.5	M16	M20	M20	15
80	M16	M20	M20	15
89	M16	M20	M20	15



## Types of axle ends available



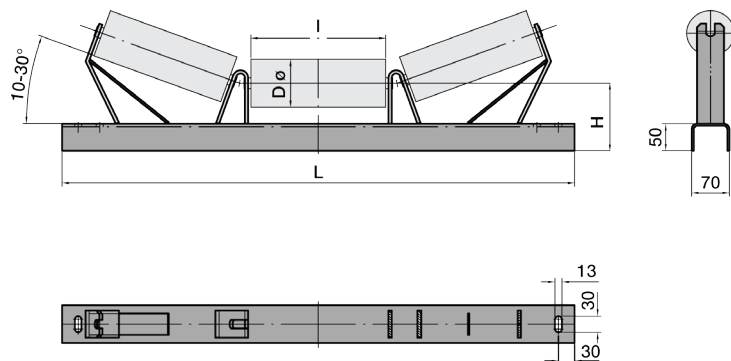
## Idler frame type 70, three-roll troughing idler



**Note:**

Other implementations and dimensions can be supplied (i.e. two-roll troughing idler).

Belt width	L [mm]	I [mm]	H [mm]	D ø [mm]
400	700	165	125	63.5
			125	80
			125	89
			135	108
500	800	200	125	63.5
			125	80
			125	89
			135	108
650	950	250	125	63.5
			125	80
			125	89
			135	108
			150	133
800	1150	315	125	63.5
			125	80
			125	89
			135	108
			150	133
1000	1350	380	125	80
			135	108
			150	133
			180	159
1200	1600	465	135	108
			150	133



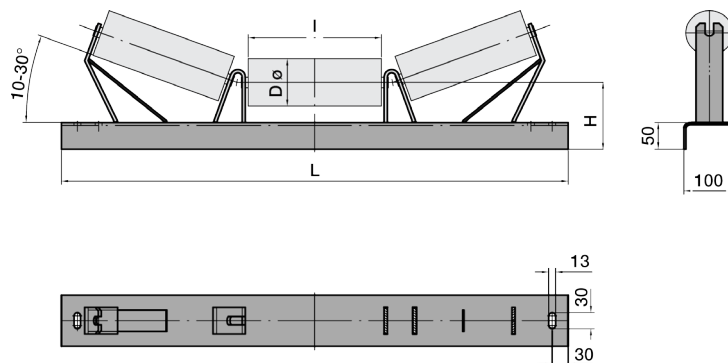
## Idler frame type 100, three-roll troughing idler



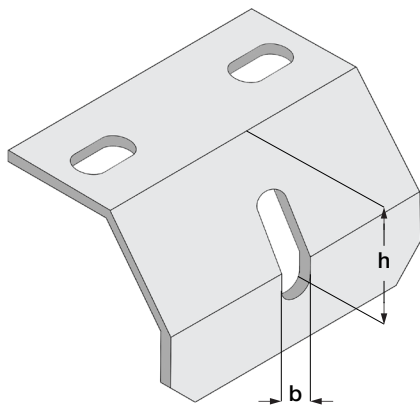
**Note:**

Other implementations and dimensions can be supplied (i.e. two-roll troughing idler).

Belt width	L [mm]	l [mm]	H [mm]	D ø [mm]
400	700	165	125	63.5
			125	80
			125	89
			135	108
500	800	200	125	63.5
			125	80
			125	89
			135	108
650	950	250	125	63.5
			125	80
			125	89
			135	108
			150	133
800	1150	315	125	63.5
			125	80
			125	89
			135	108
			150	133
1000	1350	380	125	80
			125	89
			135	108
			150	133
			180	159
1200	1600	465	135	108
			150	133



## Mounting bracket for return idler



<b>D ø</b> <b>[mm]</b>	<b>h</b> <b>[mm]</b>	<b>b</b> <b>[mm]</b>
63.5	70	16
		16
		16
80	70	16
		16
		16
89	70	16
		16
		16
108	70	16
		16
		16
133	100	16
159	100	16





The content of this publication is non-binding and only serves informational purposes only. The information in this publication as well as the specified products and services may be changed or updated without notice at any time by the germanBelt Steel GmbH. germanBelt®, germanBond®, germanGrip® are registered trademarks. © 2012 germanBelt Steel GmbH. All rights reserved.

**germanBelt Steel GmbH**

**General office**

Carl-Vollrath-Str. 8  
D-07422 Bad Blankenburg  
Germany

Tel.: +49 36741 5680-0

Fax: +49 36741 5680-19

E-Mail: [steel@germanBelt.com](mailto:steel@germanBelt.com)

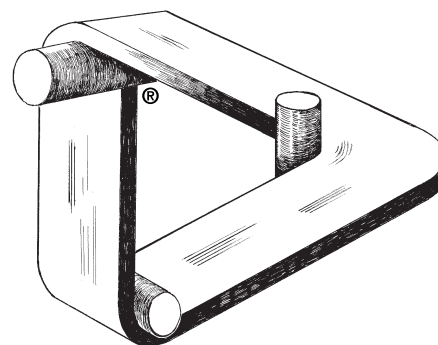
Website: [www.germanBelt.com](http://www.germanBelt.com)

**Production / Facility no. 3**

Laugkfeld 19  
D-01968 Senftenberg  
Germany

Tel.: +49 3573 36374-0

Fax: +49 3573 36374-19



germanBelt ... beyond expectations